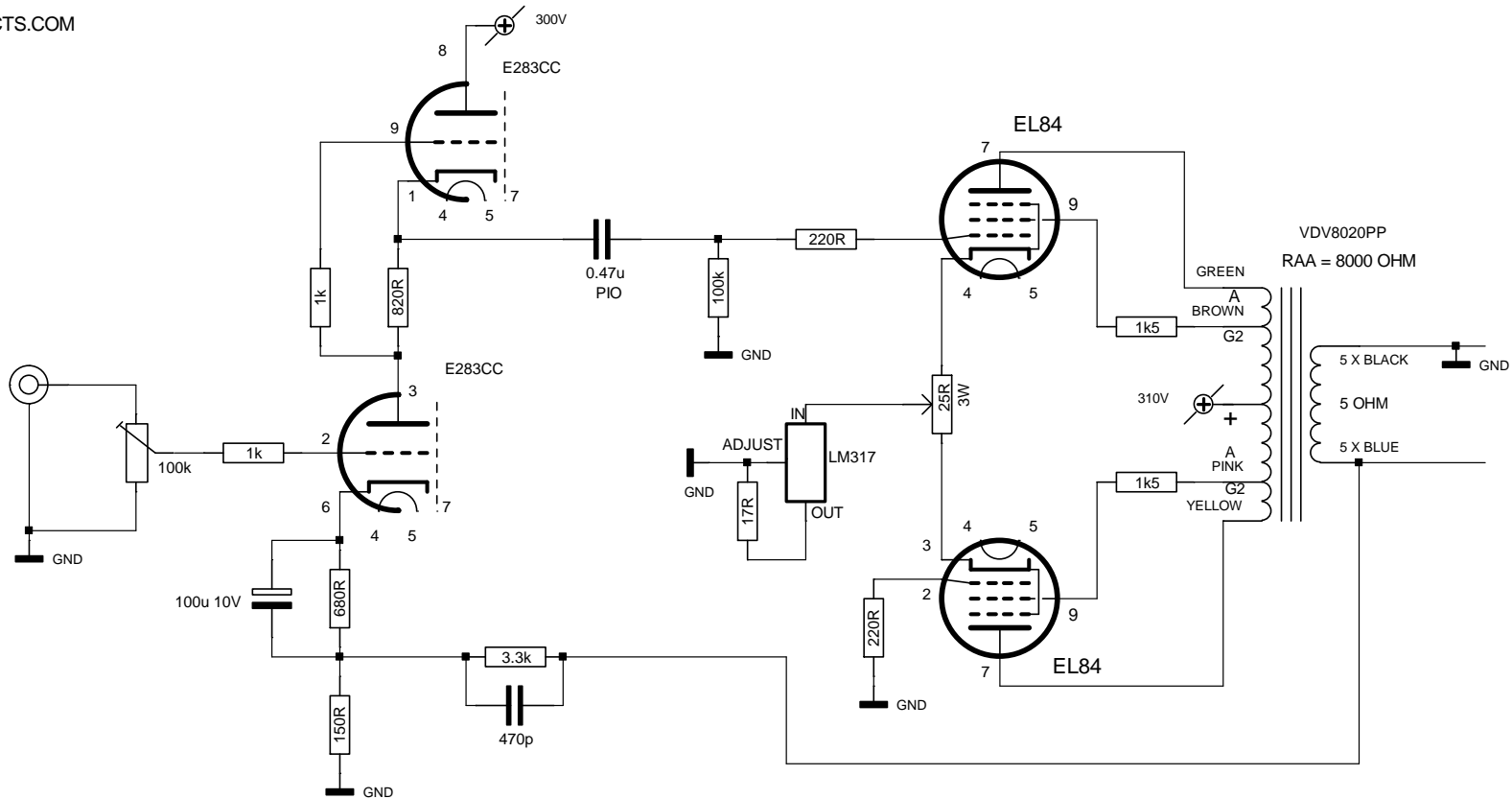


SCHEMATIC BASED ON INFORMATION FROM BRUCE HERAN :

HTTP://DIYAUDIOPROJECTS.COM



LONGLIFE

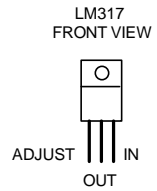
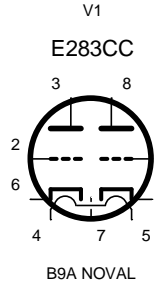
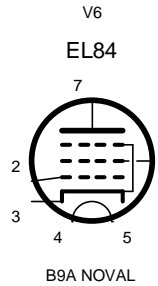
VF= 6,3V (REMAIN WITHIN 5%)
 IF= 0,33A
 VA MAX.= 300V
 IA MAX.= 1,25MA
 IC MAX.= 9MA
 S= 1,6MA / V
 PD MAX.= 1,2W

TYPICAL OPERATION
 VA= 100V
 IA= 0,5MA
 S= 1,25MA / V
 μ = 100
 -VG= -1V
 RC= 2K
 RG FIX.BIAS= 1.2M
 RG CATH. BIAS= 2.2M
 VF/C= 200V
 RI= 62.5K

TYPICAL OPERATION

VF= 6,3V
 IF= 0,76A
 VA= 250V
 VG2= 250V
 IA= 48MA
 IG2= 5.5MA
 RC= 135R
 RA= 5,2K
 S= 11,3MA / V
 RI= 38K
 μ G2G1= 19
 PO= 5,7W
 VINP.= 4,3V RMS
 VF/C= 100V
 PD= 12W

PUSH-PULL
 CLASS AB
 VA= 250V
 VG2= 250V
 RC= 130 OHM
 RAA= 8K
 IA MAX.= 2 X 37.5MA
 V INP.= 0 - 8VRMS
 IG2 MAX.= 2 X 7.5MA
 PO= 11W
 D TOT.MAX.= 4%



COMPANY: ALF / AMPLIMO BV			
PROJECT: HQ10-SIPP			
DIAGRAM NO: AMPLIFIER STAGE			
INIT.DATE: 14/12/2012		ENG: HANS BRAAM	
REV: 0.1	DATE: 14/12/2012	PG: 1	OF: 2