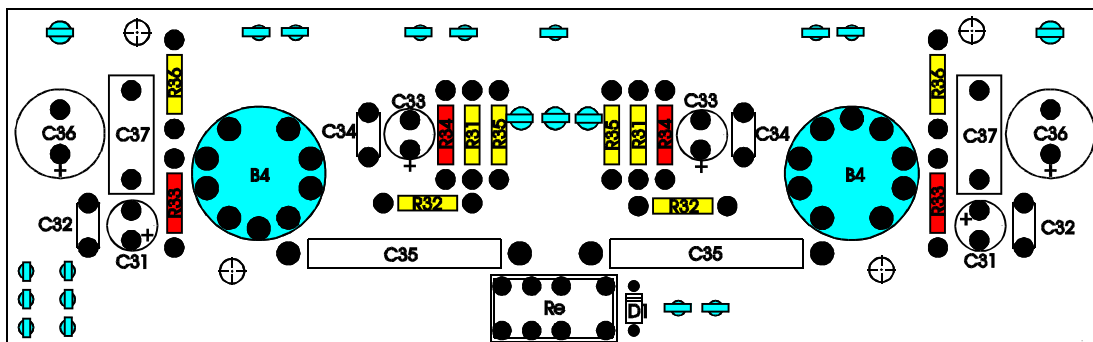
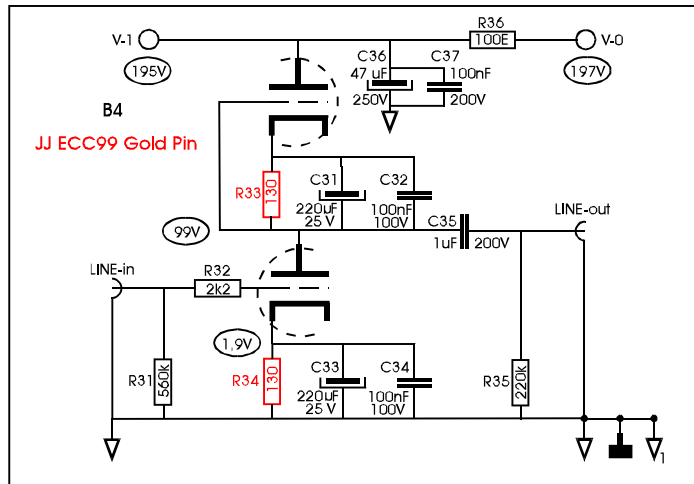
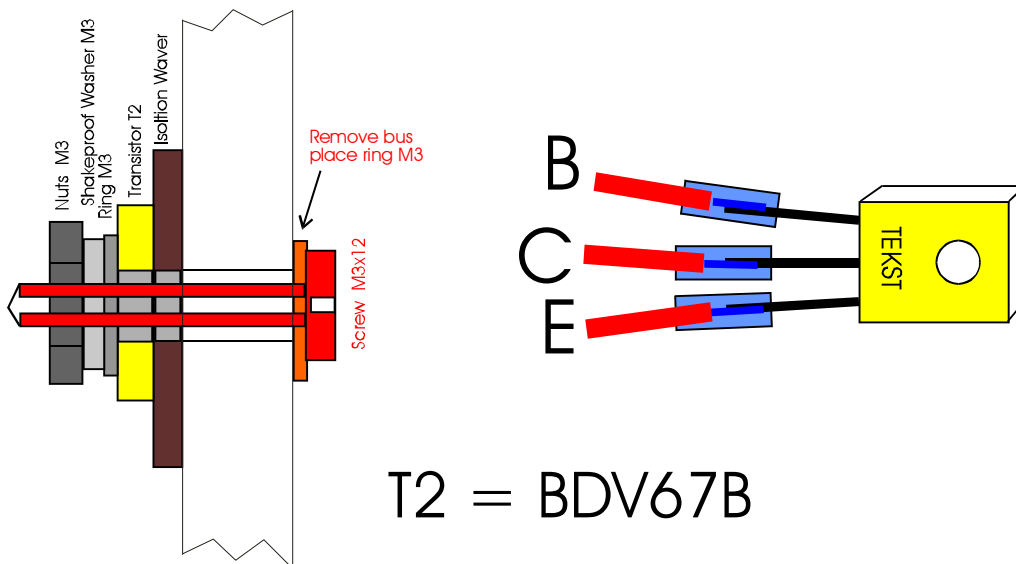


MCM-MOD-ECC99



lijn-2.cdr Copyright ir. bureau Vanderveen april 2009
R33 and R34 are 130 Ohm now (brown-orange-brown)



T2 = BDV67B

- 1) Replace ECC82 by ECC99
- 2) Replace R33 and R34 by 130 Ohm
- 3) Replace T2 by BDV67B, apply new isolation waver
- 4) remove bus, use new screw with extra M3 ring

See www.mennovanderveen.nl for the newest updates
copyright 2010: ir. bureau Vanderveen