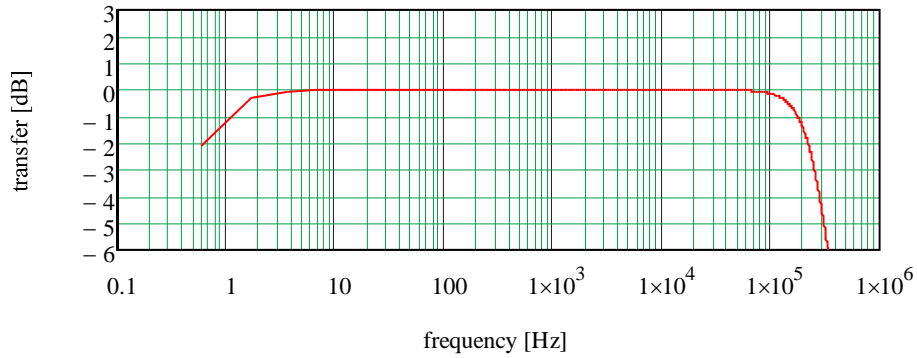
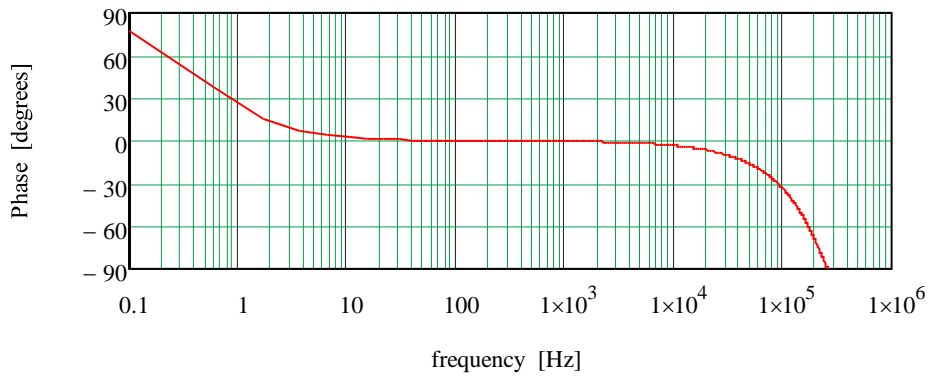


HIGH-END TOROIDAL PUSH-PULL OUTPUT TRANSFORMER ; VDV-3070-PP (PAT-4004)

Frequency Response; Vertical 1 dB/div; Horizontal .1 Hz to 1 MHz (3)

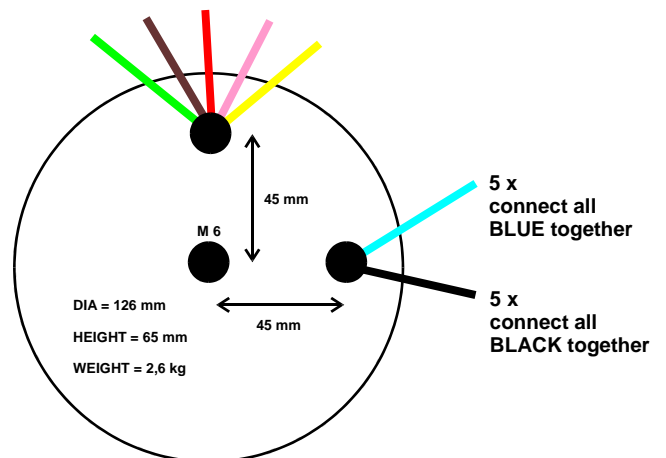
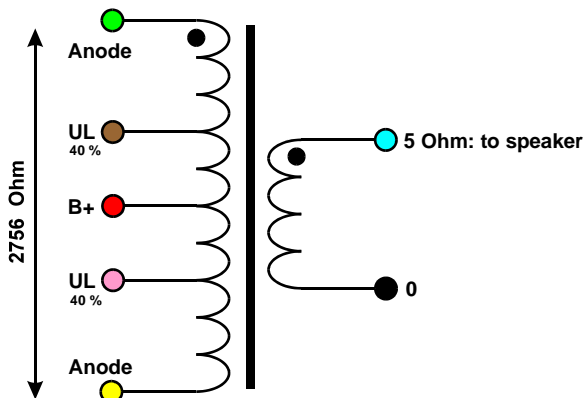
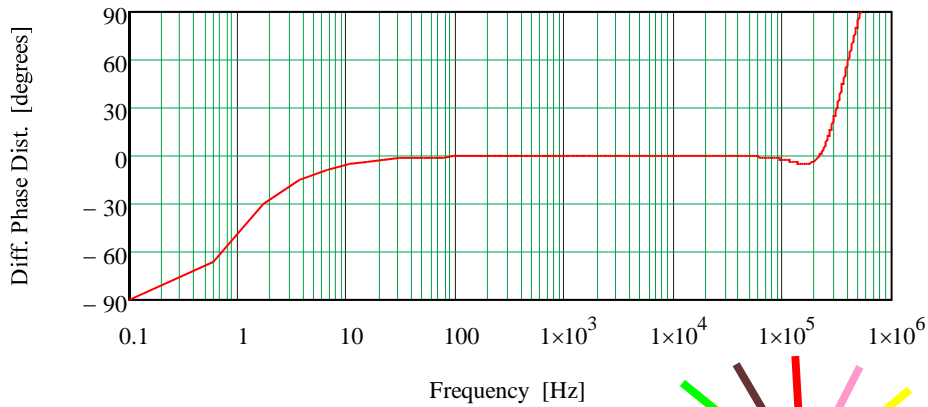


Phase Response; Vertical 30 deg./div; Horizontal .1 Hz to 1 MHz



Differential Phase Distortion; vert. 30 deg./div; hor. .1 Hz to 1 MHz

See: W.M.Leach, Differential Time Delay.; JAES sept.89 pp.709-715



Copyright 2018 ir. bureau Vanderveen; Version 1.8. Design Date: 07-05-2018.
Final specs can deviate 15% or improve without notice