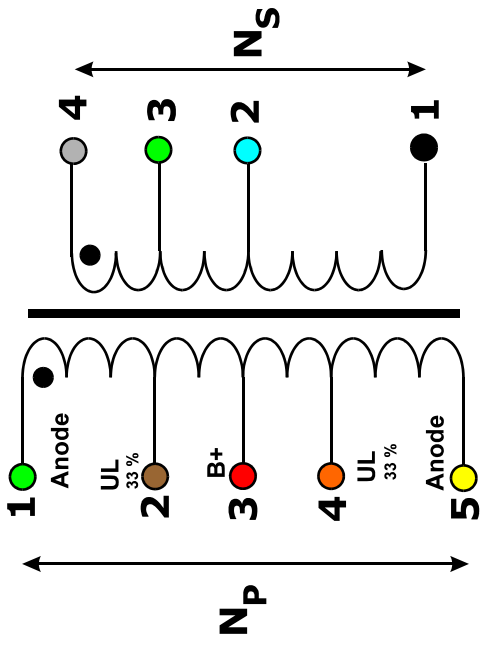
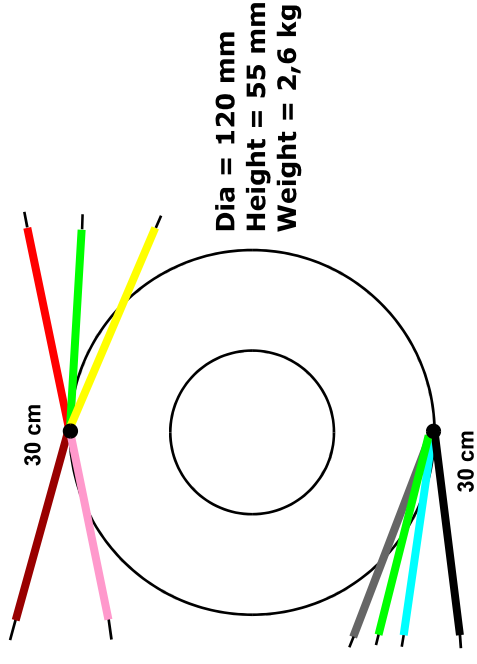


TRAFCO-VDV-GIT80-t

- N_p / N_s** = 22,4
- L_{p,max}** = 600 H
- P_{max} @ 40 Hz** = 80 W
- R_{ip} 1-5** = 100 Ω
- R_{is} 1-2** = 0,16 Ω
- R_{is} 1-3** = 0,22 Ω
- R_{is} 1-4** = 0,30 Ω
- L_{sp}** = 7 mH
- C_{ip}** = 350 pF

Specs are subject to improvement



TRAFCO VDV-GIT80-t universal connections

Z _a 1->3	Z _s 1->2	Z _s 1->3	Z _s 1->4
1000	2	4	8
1500	3	6	12
2000	4	8	16
2500	5	10	20
3000	6	12	24
3500	7	14	28
4000	8	16	32
[Ohm]	[Ohm]	[Ohm]	[Ohm]

single ended

Z _{aa} 1->5	Z _s 1->2	Z _s 1->3	Z _s 1->4
2000	1	2	4
3000	1.5	3	6
4000	2	4	8
5000	2.5	5	10
6000	3	6	12
7000	3.5	7	14
8000	4	8	16
[Ohm]	[Ohm]	[Ohm]	[Ohm]

push pull

Z _{cc} 2->4	Z _s 1->2	Z _s 1->3	Z _s 1->4
500	2.3	4.5	9
600	2.7	5.4	10.8
700	3.2	6.3	12.6
800	3.6	7.2	14.4
900	4.1	8.1	16.2
1000	4.5	9	18
1100	5	10	20
[Ohm]	[Ohm]	[Ohm]	[Ohm]

cathode follower